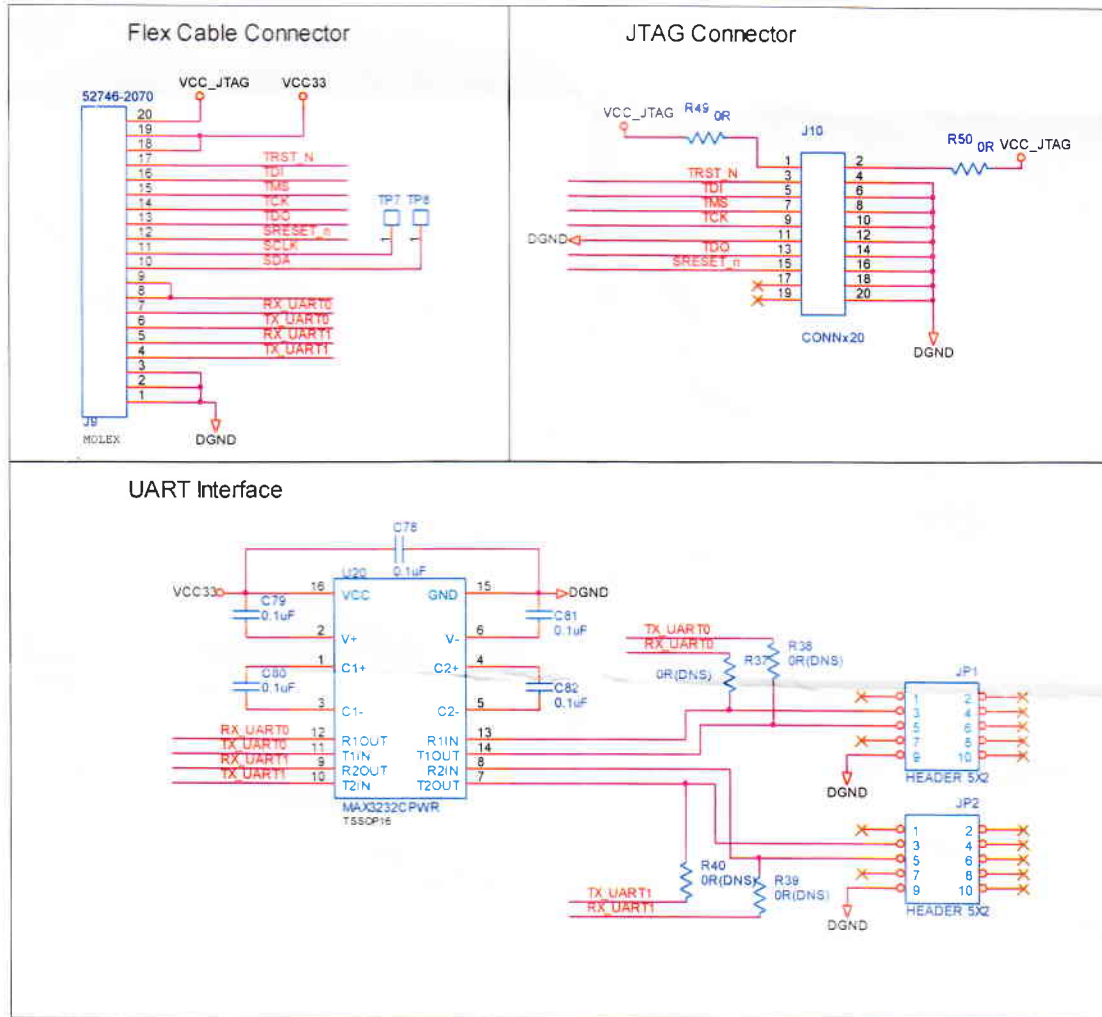


## Debug board schematics:



## Bill of Materials:

Part Reference	Part-Value	MFG P/N	MFG
C78,C79,C80,C81,C82	Cap-0402 0.1uF/10V	Cap-0402 0.1uF/10V	ANY
JP1,JP2	HEADER 5X2	10897102	Molex
J9	52746-2070	52746-2070	Molex
J10	CONNx20	10897202	Molex
R37*,R38*,R39*,R40*,R49,R50	0R 0402 1%	0R 0402 1%	ANY
TP7,TP8	I2C Test Point	Test Point 5015	Keystone Electronics
U20	RS232 Transceiver	MAX3232CUE	MAXIM-IC

\*In Current configuration should not be assembled. (DNS)